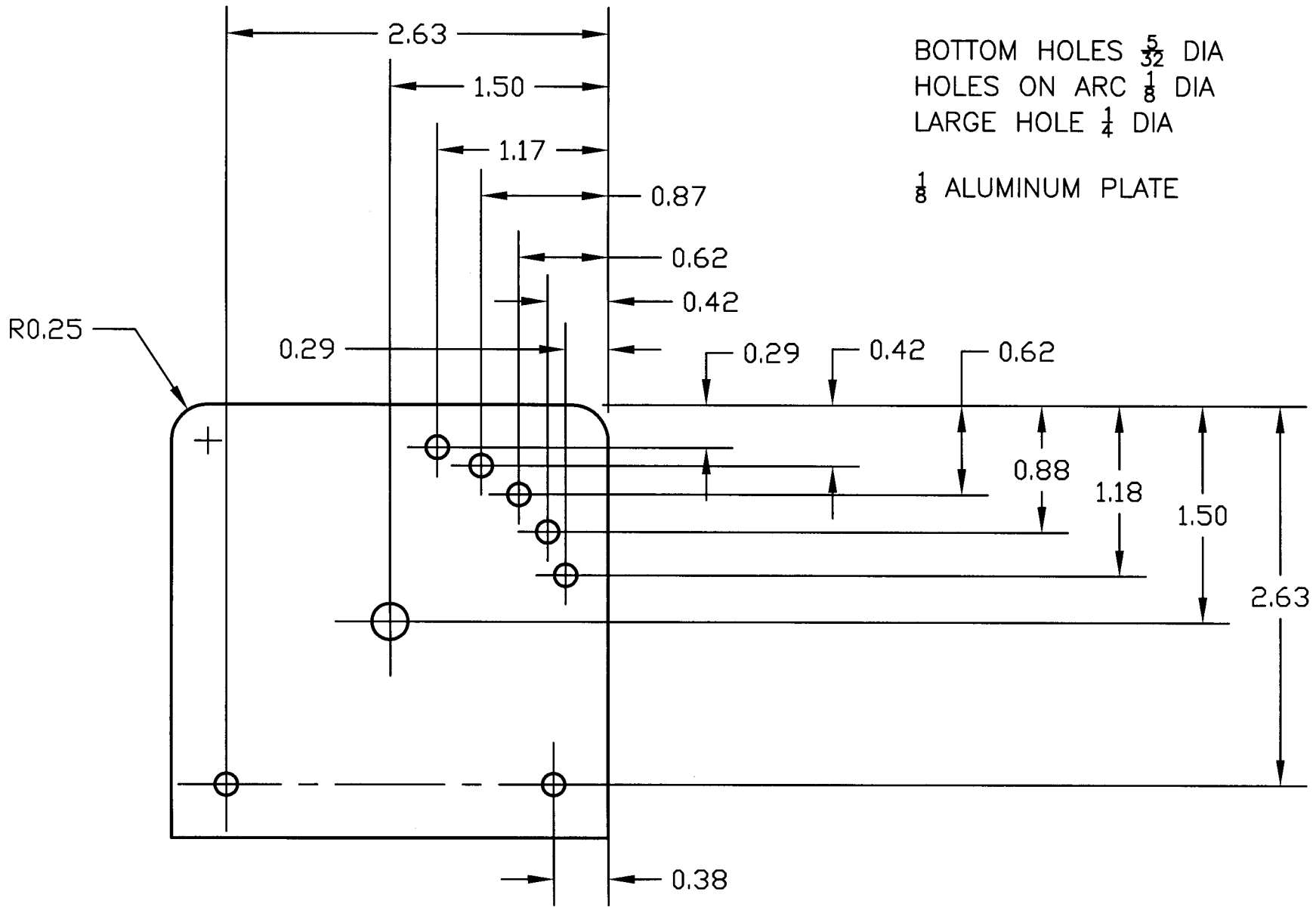
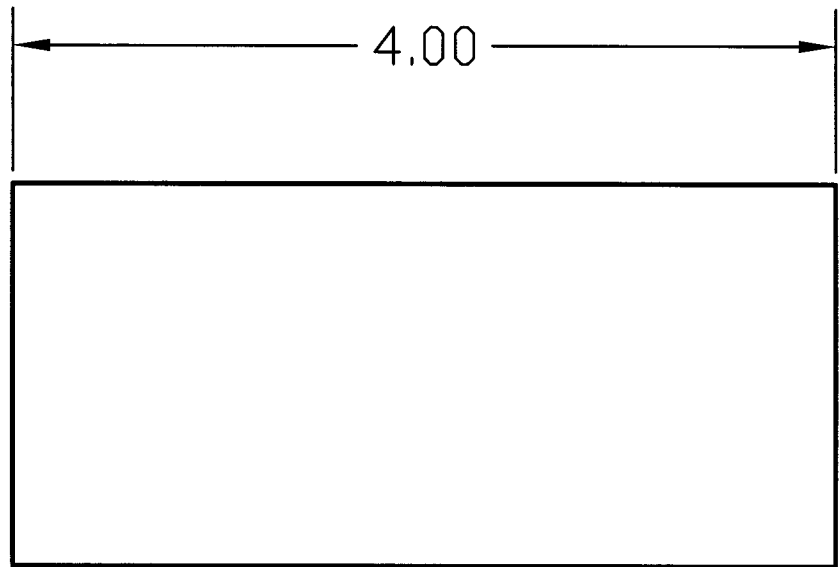
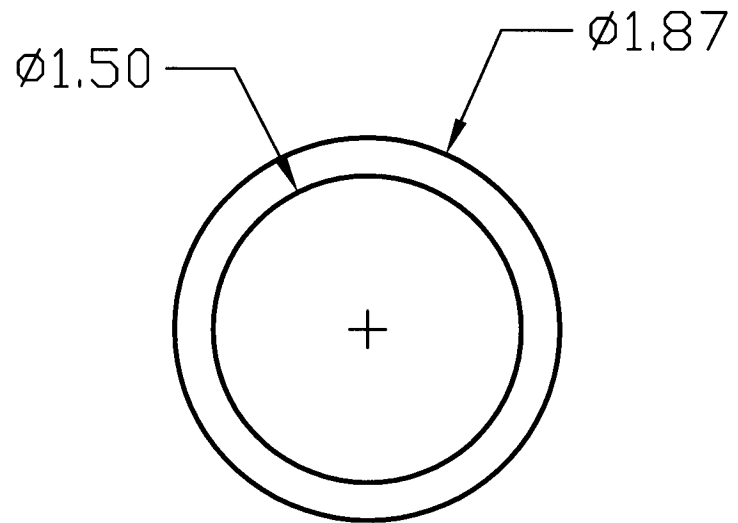


UTAH STATE UNIVERSITY		TITLE: BASE		SECT:
SCALE: N/A	DATE: 10/18/05	DRAWN BY: MARK ANDERSON		FIG: N/A



UTAH STATE UNIVERSITY		TITLE: BRACKET		SECT:
SCALE: 1:1	DATE: OCT. 25 05	DRAWN BY: B RUTHERFORD		FIG:



MATERIAL: PVC PIPE

ALL DIMENSIONS ARE IN INCHES UNLESS OTHERWISE SPECIFIED!!

UTAH STATE UNIVERSITY

TITLE: PVC BARREL

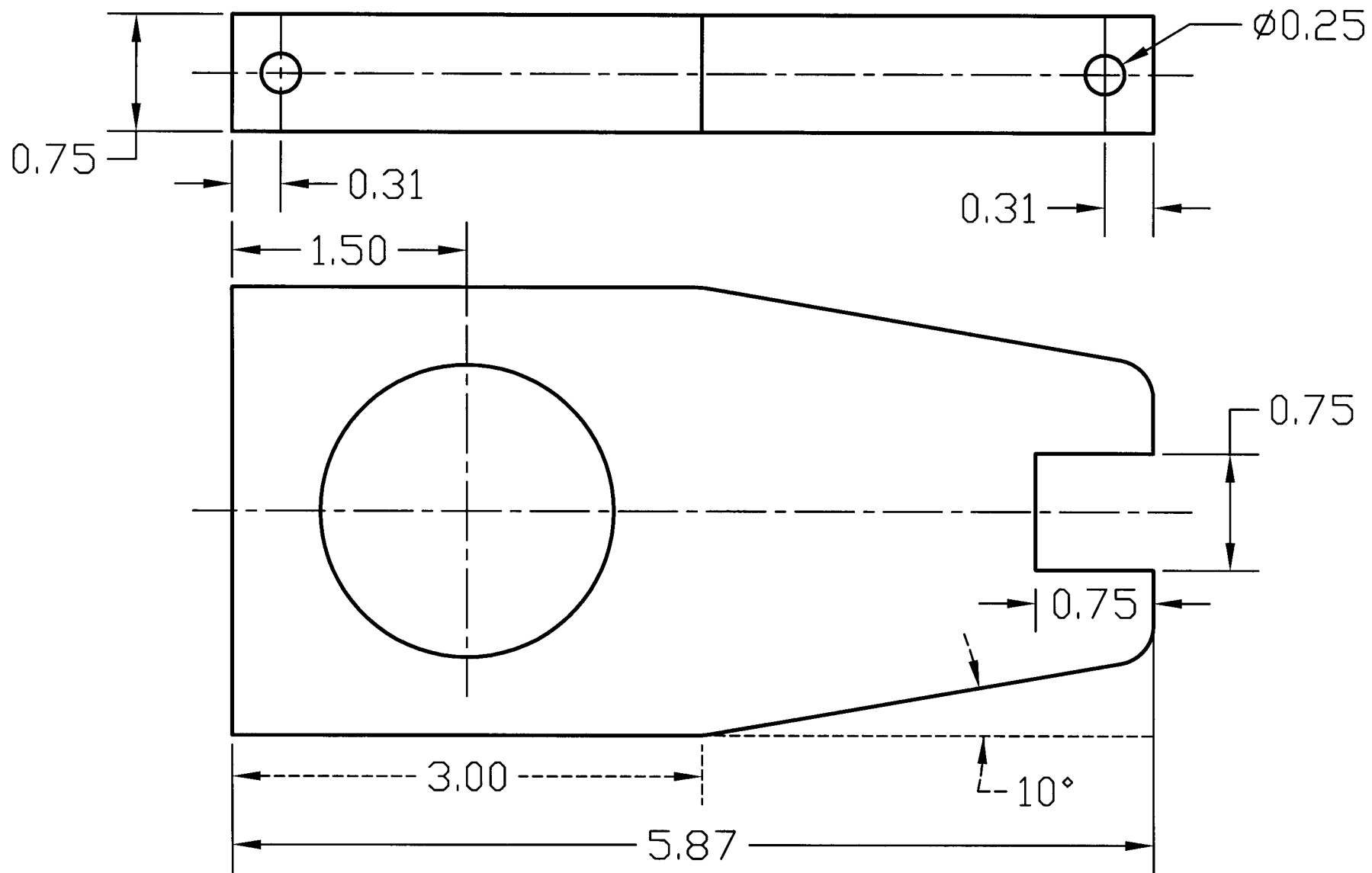
SECT:

SCALE: 1:1

DATE: 10/24/05

DRAWN BY: RUSSELL OLSEN

FIG:



MATERIAL: WOOD

ALL DIMENSIONS ARE IN INCHES UNLESS OTHERWISE SPECIFIED!!

UTAH STATE UNIVERSITY

TITLE: SWIVEL CARRIAGE

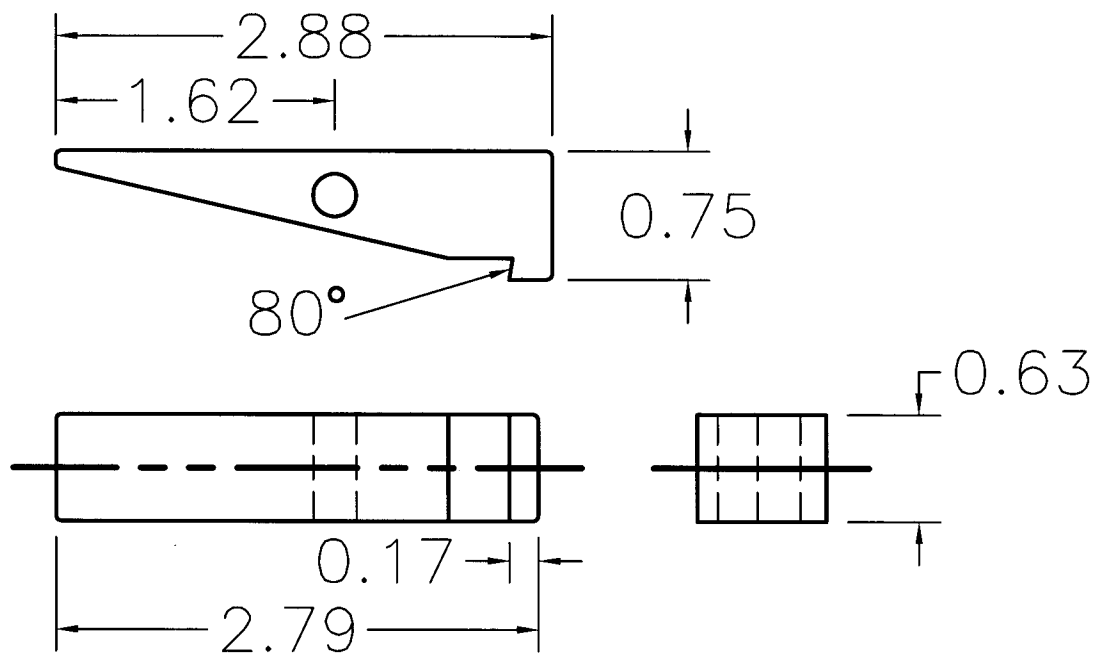
SECT:

SCALE: 1:1

DATE: 10/24/05

DRAWN BY: RUSSELL OLSEN

FIG:



UTAH STATE UNIVERSITY		TITLE: TRIGGER		SECT:
SCALE: N/A	DATE: 10/18/05	DRAWN BY: MARK ANDERSON		FIG: N/A